

# ASK Receiver Module RF 433Mhz 433.92Mhz 5pcs/lot Free Shipping

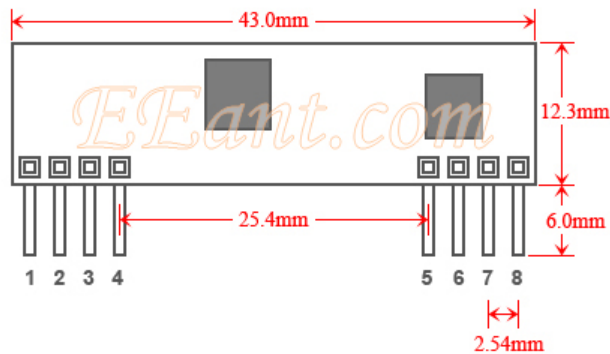
## ASK Receiver Module Key Feature

Modulation Mode : ASK / OOK  
Operating Frequency : 433.92 Mhz  
Operating Voltage : 4.5~5.5 V  
Operating Current : 9.6 mA  
Data Rate : 5 Kbps  
Sensitivity : -114 dbm  
Operating Temperature : -30~+85 °C  
Working Distance : 300 m  
Dimension : 43\*12.3\*5 mm

## ASK Receiver Module Application

Car security system  
Remote keyless entry  
Garage door controller  
Home security  
Wireless mouse  
Automation system

## ASK Receiver Module Pin Dimension



1. ANT 2. GND 3. GND 4. VCC 5. VCC 6. DATA 7. DATA 8. GND

ASK / OOK Transmitter Module

Image	Model	Modulation Mode	Operating Frequency (MHz)	Operating Voltage (V)	Operating Current (mA)	Data Rate (Kbps)	Output Power (dbm)	Dimension (mm)	Working Distance (m)	Price + Free Shipping
	ET-TX-1[1]	ASK / OOK	433.92	3~12	10 (Quiescent current : 0)	9.6	≥10	11*16*5	300~500	10 : \$2.19 50 : \$1.90 100 : \$1.69
	ET-TX-5[2]	ASK / OOK	433.92	1.8~3.6	10 (Quiescent current : 0)	9.6	≥10	11*16*5	300~500	10 : \$2.91 50 : \$2.60 100 : \$2.41

ASK / OOK Receiver Module

Image	Model	Modulation Mode	Operating Frequency (MHz)	Operating Voltage (V)	Operating Current (mA)	Data Rate (Kbps)	Sensitivity (dbm)	Dimension (mm)	Working Distance (m)	Price + Free Shipping
	ET-RX-13[3]	ASK / OOK	433.92	3.3~5.5	3.8~4.1	2.4	-107	30*8.5*5	300	10 : \$2.19 50 : \$1.90 100 : \$1.69
	ET-RXB-12[4]	ASK / OOK	433.92	3.3~5.5	3.8~4.1	2.4	-107	30*8.5*5	300	10 : \$2.91 50 : \$2.60 100 : \$2.41
	ET-RXB-11[5]	ASK / OOK	433.92	3.3~5.5	3.8~4.1	2.4	-107	43*11*5	300	10 : \$2.91 50 : \$2.60 100 : \$2.41
	ET-RXB-10[6]	ASK / OOK	433.92	3.3~5.5	3.8~4.1	4.8	-107	33*11*5	300	10 : \$2.91 50 : \$2.60 100 : \$2.41

ET-RXB-9[7]	ASK / OOK	433.92	4.5~5.5	9.6	5	-114	43*12.3*5	300	10 : \$4.27 50 : \$4.04 100 : \$3.77
ET-RXB-8[8]	ASK / OOK	433.92	4.5~5.5	9.6	2.4	-114	31.5*13.6*5	300	10 : \$4.27 50 : \$4.04 100 : \$3.77

FSK / FM Transmitter Module

Image	Model	Modulation Mode	Operating Frequency (MHz)	Operating Voltage (V)	Operating Current (mA)	Data Rate (Kbps)	Output Power (dbm)	Dimension (mm)	Working Distance (m)	Price + Free Shipping
	ET-TX-3[9]	FSK / FM	433.92	1.8~3.6	10 (Quiescent current : 0)	9.6	10	12.3*16*5	>500	10 : \$4.60 50 : \$4.40 100 : \$4.10

FSK / FM Receiver Module

Image	Model	Modulation Mode	Operating Frequency (MHz)	Operating Voltage (V)	Operating Current (mA)	Data Rate (Kbps)	Sensitivity (dbm)	Dimension (mm)	Working Distance (m)	Price + Free Shipping
	ET-RXB-3[10]	FSK / FM	433.92	3.6~5.5	6	9.6	-118	43*11.3*5	>500	10 : \$6.68 50 : \$6.46 100 : \$6.18
	ET-RXB-15[11]	FSK / FM	433.92	3.6~5.5	4.6 (Enable mode: 10 nA)	9.6	-118	31.5*13.6*5	>500	10 : \$6.68 50 : \$6.46 100 : \$6.18

Shipping :

If you need us to declare low value on the Invoice please contact us before delivery.

Warranty :

Any quality issue, please feedback the issue within 60days.

Feedback :

Please giver us positive feedback if you are satisfied with our product and service.

Service :

Any questions, please don't hesitate to contact us, we will get back to you within 24hours.

## CERTIFICATE OF INCORPORATION

No. 1631151 編號	 公司註冊處 COMPANIES REGISTRY
<b>CERTIFICATE OF INCORPORATION</b> 公司註冊證書 ***	
I hereby certify that 本人謹此證明	
SHENZHEN LANPADE ELECTRONICS CO., LIMITED 深圳市蘭帕德電子有限公司	
is this day incorporated in Hong Kong under the Companies Ordinance 於本日根據《公司條例》(香港法例第32章)	
(Chapter 32 of the Laws of Hong Kong) and that this company is limited. 在香港註冊成為有限公司。	
Issued on 13 July 2011. 本證書於二〇一一年七月十三日發出。	
 Ms Ada L.L. CHUNG Registrar of Companies Hong Kong Special Administrative Region 香港特別行政區公司註冊處處長鍾麗玲	
Note 註: Registration of a company name with the Companies Registry does not confer any trade mark rights or any other intellectual property rights in respect of the company name or any part thereof. 公司名稱獲公司註冊處註冊,並不表示獲授予該公司名稱或其任何部分的商標權或任何其他知識產權。	

1. <http://www.aliexpress.com/item/RF-Transmitter-Module-433Mhz-433-92Mhz-434Mhz-ASK-OOK-10pcs-lot-ET-TX-1-Free-Shipping/2055325028.html>
2. <http://www.aliexpress.com/item/Wireless-Transmitter-Module-433Mhz-434Mhz-OOK-10pcs-lot-Free-Shipping/2055324087.html>
3. <http://www.aliexpress.com/item/RF-Superheterodyne-Receiver-Module-ASK-10pcs-lot-Free-Shipping/2055331572.html>
4. <http://www.aliexpress.com/item/RF-Receiver-Module-433-92Mhz-434Mhz-OOK-10pcs-lot-Free-Shipping/2055321141.html>
5. <http://www.aliexpress.com/item/OOK-Module-Receiving-433-92Mhz-434Mhz-10pcs-lot-Free-Shipping/2055327731.html>
6. <http://www.aliexpress.com/item/OOK-Receiving-Module-RF-433Mhz-434Mhz-10pcs-lot-Free-Shipping/2055323088.html>
7. <http://www.aliexpress.com/item/OOK-Receiving-Module-433Mhz-434Mhz-10pcs-lot-Free-Shipping/2055325036.html>
8. <http://www.aliexpress.com/item/Wireless-Receiver-Module-RF-433Mhz-434Mhz-OOK-10pcs-lot-Free-Shipping/2055321133.html>
9. <http://www.aliexpress.com/item/FM-Transmitter-Module-433-92Mhz-434Mhz-10pcs-lot-Free-Shipping/2055321146.html>
10. <http://www.aliexpress.com/item/FM-Receiver-Module-433-92Mhz-434Mhz-10pcs-lot-Free-Shipping/2055323101.html>
11. <http://www.aliexpress.com/item/FM-Receiving-Module-433-92Mhz-434Mhz-10pcs-lot-Free-Shipping/2055322146.html>